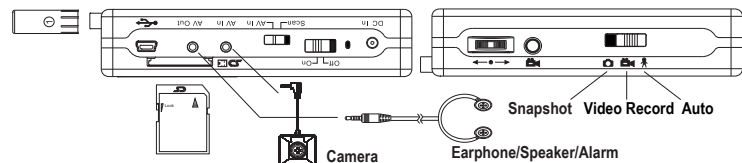


106x148.5mm

裁切尺寸 319x148.5mm

6. Component Installation - DVR Function



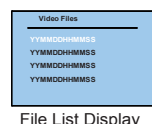
1. Insert the SD card into SD card slot.
2. Screw-on antenna onto antenna mount.
3. Insert camera phone jack into "AV In" socket.
4. Connect phone jack of speaker/earphone/alarm into "AV Out" socket.
5. Power Switch to "On" position.
6. AV-Scan Switch to "AV In" position to enable image capture through installed camera.
7. Operation Mode Switch to "Snapshot" position. "Video Record" is optional selection, but "Auto" is not functional in "AV-In".
8. Using Set-up key to edit device setting.

7. How to use Set-up Key

1. Push inward to enter menu page or selection page.
2. Then release the Set-up Key after entering menu/selection page.
3. Push upward or downward to move the cursor.
4. Then push Set-up Key inward again to access the selected function.
Note: Editing Preset Frequency Setting and Mask Frequency Setting must hold the Key until beep noise to complete setting.
5. Push inward again to exit menu page or selection page.

8. Video/Snapshot Playback (Scan Mode)

1. Press Recording button for 3 seconds.
2. File list display pop-up.
3. Push Set-up Key upward and downward to move the cursor.
4. Press Set-up Key inward again to play the file on screen.



File List Display

(4)

9. Retrieving Data

- (1) USB Cable Connection:
 1. Insert the USB Cable into USB port.
 2. AV-Scan switch to "Scan" position. Do not remove SD card from card slot. Device is read as "External mass storage".
 3. Copy and paste recorded files as common file management operation.

(2) SD Card Reader:

1. Remove SD card from SD card slot. Connect any SD card reader to computer. Insert the SD card into SD card reader. Card reader is read as "External mass storage".
2. Copy and paste recorded files as common file management operation.

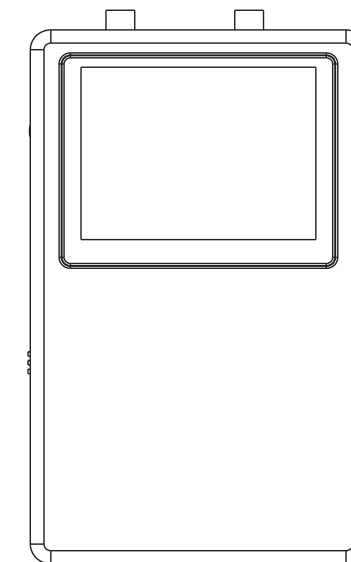
10. Menu Infrastructure

Operating Mode	Normal Preset Scan Mask Scan
Sensitivity	High Medium Low
Alarm Time	15 Sec 30 Sec.
Buzzer (Volume)	ON OFF
Vibration	ON OFF
Date Setting	09 / 12 / 03
Time Setting	12 : 16 : 09
Preset Freq. Setting	f01 : 0910 f16 : 2470
Mask Freq. Setting	f01 : 0900 f16 : 0900
Event	Capture Record
Language	English Japanese/Chinese
Firmware Upgrade	NO Yes
Erase Event List	NO Yes
Display	LCD

(5)

WCH-300X

Wireless Camera Video Recorder
Quick Guide

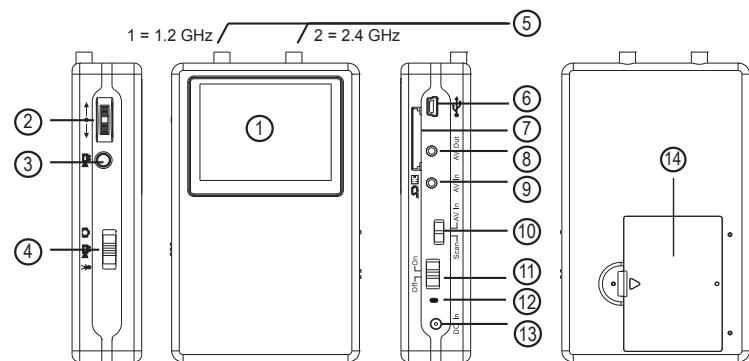


Law Enforcement Products Manufacturer

LawMate

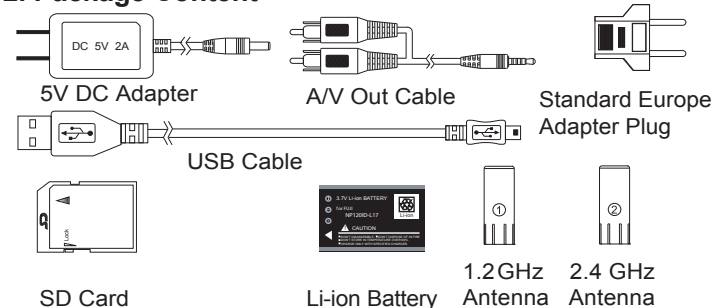
V1.0

1. Name and Parts



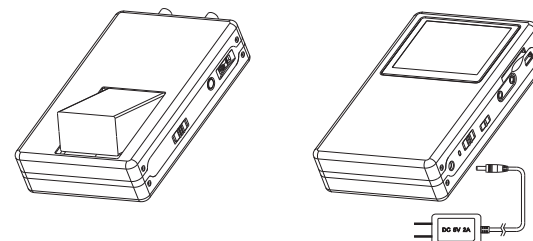
1. 2.46" LCD Display
2. Set-up Key
3. Recording Button
4. Operation Mode Switch
5. Antenna Mount
6. USB Port
7. SD Card Slot
8. AV Output Socket(Alarm/Speler)
9. AV Input Socket
10. AV Scan Switch
11. Power Switch
12. Charging LED Indicator
13. DC Power Adapter Socket
14. Battery Tray

2. Package Content



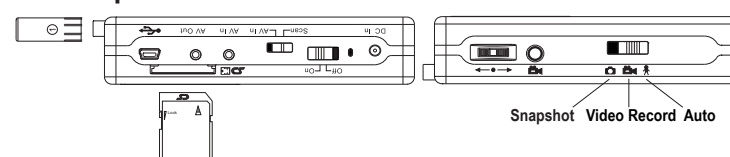
(1)

3. Charging Battery



1. Remove the battery cover from back.
2. Slide in the battery into battery tray.
3. Close the battery tray with battery cover.
4. Plug in the power adapter into DC power adapter socket of scanner.
5. Plug in the power adapter into wall outlet.
6. Leave the scanner charging for 12 hours straight without disconnection at first time charging.

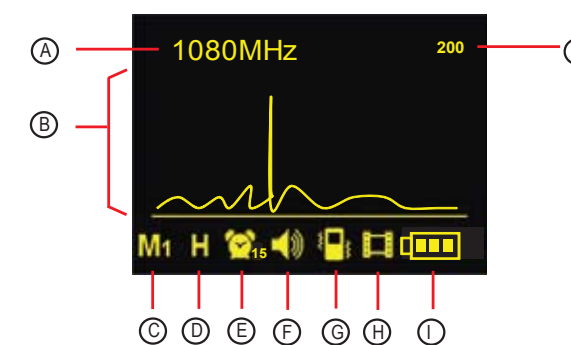
4. Component Installation - Scanner Function



1. Insert the SD card into SD card slot. Screw-on antenna onto mount.
2. Power Switch to "On" position.
3. AV-Scan Switch to "Scan" position to enable wireless camera scanning function.
4. Operation Mode Switch to "Auto" Position. In the menu page, recording mode can interchange between Snapshot or Video Recording.
5. Auto Mode records or captures images when wireless signal detected.
6. Using Set-up key to edit device setting.

(2)

5. Functional Display Illustration



- Scanning Frequency
 - Frequency Spectrum
 - Scanning Mode
 - M₁ Normal Mode: Scanning full range frequency band
 - M₂ Preset Mode: Scanning selected frequency only
 - M₃ Mask Mode: Scanning only selected to skip frequency
 - Scanning Sensitivity
 - H High Sensitivity
 - M Medium Sensitivity
 - L Low Sensitivity
 - Image Display Duration
 - 15 Second
 - 30 Second
 - Buzzer
 - Volume On
 - Volume Off / Mute
 - Vibration
 - Vibration On
 - Recording Mode (Auto Mode)
 - Video Recording
 - Snapshot
 - Battery Gauge
 - Total File Number (Max: 200)
- Note: When device is set in Preset Mode, masked frequency will not be scanned. When device is set in Masked Mode, preset frequency will not be scanned.

(3)