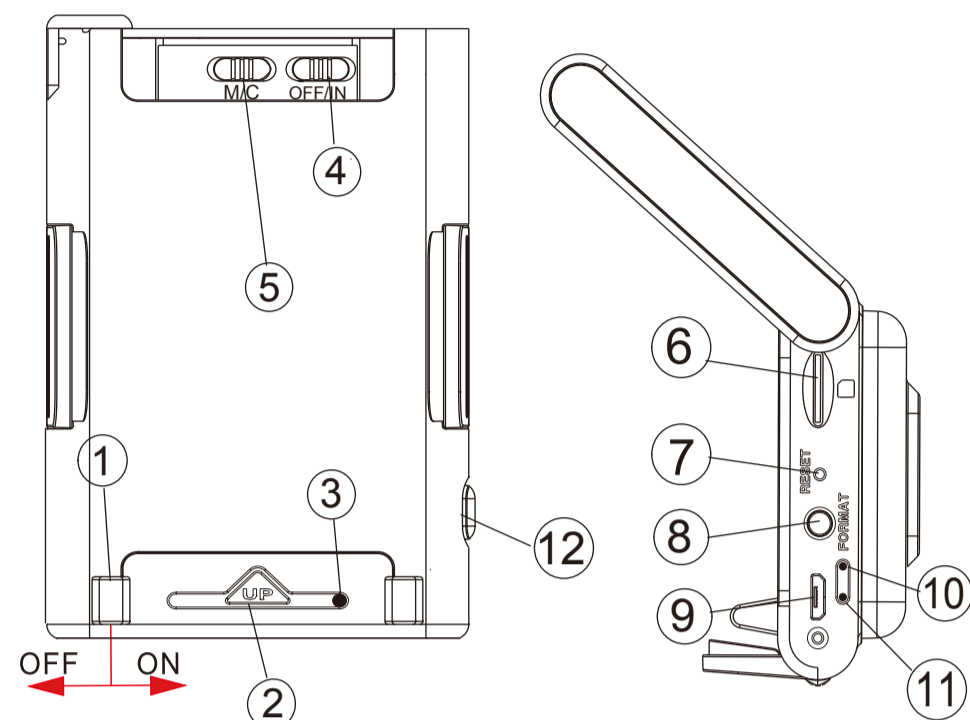


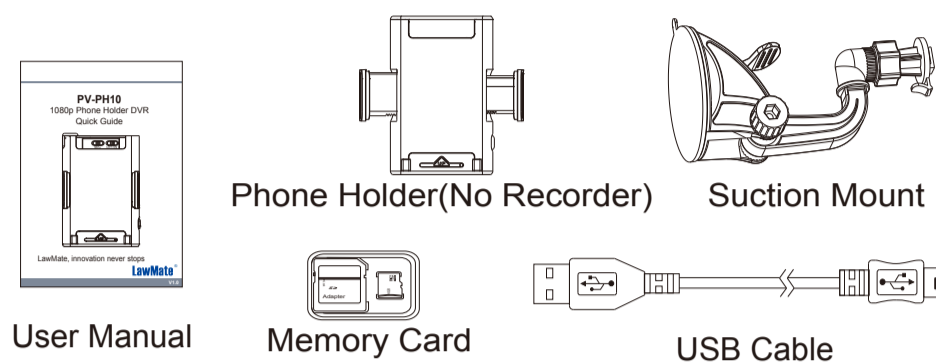
## 1. Name and Parts



1. Power Switch
2. IR LED
3. Camera Lens
4. IR LED Switch
5. Continuous Rec/  
Motion Detection Rec
6. Memory Card Slot
7. Reset Button
8. Format Button
9. USB Port
10. Charging(Green)LED  
Power(Blue)LED
11. Rec(Red)LED
12. Holding Grip Release Button

1

## 2. Package Content



## 3. LED Indicators

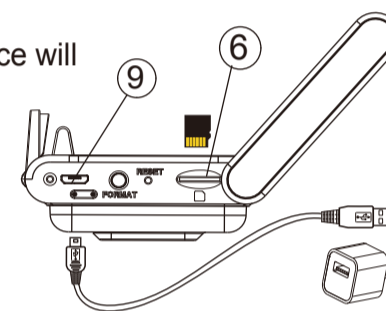
LED Indicators	Device Status
Solid Red LED	Recording on
Blinking Red LED	Memory Card Full
Solid Green LED	Device Charging
Solid Blue LED	Power On

## 4. Battery Charging

Plug the micro USB end of cable into ⑨ and plug the other end to an USB charger. After charging is complete, insert the memory card into ⑥. Then the device will be ready for further operations.

- Solid green LED ■ - charging.
- Green LED goes off - fully charged.

**Note:** Device cannot be powered on, if no memory card is inserted.



2

## 5. Format Memory Card

1. Insert the memory card into ⑥.
2. Press & hold on ⑧ while the power is on.
3. The device will be off automatically when the memory card is formatted successfully.

## 6. Operation

1. Power on: Slide "Power Switch" to the right to turn on.
2. Recording: After device is on, it will start recording automatically.
3. Power off: Slide "Power Switch" to the left to turn off.
4. Reset: When the device functions abnormally, press ⑦.
5. IR LED: Switch ④ to "ON" to turn on the IR LED and switch ④ to "OFF" to turn off the IR LED.
6. Recording mode: Switch ⑤ to "M" for motion detection mode and "C" for continuous recording mode.

## 7. Download Videos and Photos from DVR

1. Video and photo files are stored in the memory card.
2. There are two ways to download video/photo files.
  - 2.1 Using memory card reader to download video/photo files.
  - 2.2 With the device powered on and memory card inserted, connect the device to PC by USB connection. It will be recognized by PC as an external drive for user to download the video recordings and photo files.

3

## 8. Date and time setting (for Windows computer)

1. Right-click on Windows desktop. Choose Notepad to create a \*.txt (text) file. Then double-click the text file.
2. Suppose current time is April 11, 2015 15:00. Enter date and time information as 2017.04.11 15:00:00 Note that a space must be present in between date and hour and time must be 24-hour format.
3. Save file name as settime.txt to the root directory of the memory card.
4. Insert the memory card to the slot then power on the device. The date and time setting is now completed.
5. Please note when the date and time information is successful set to the device the settime.txt file should not be visible when you connect the device to the computer again.

## 9. Others

Please be noted that when you enable the IR LED, the image color will turn black and white immediately.

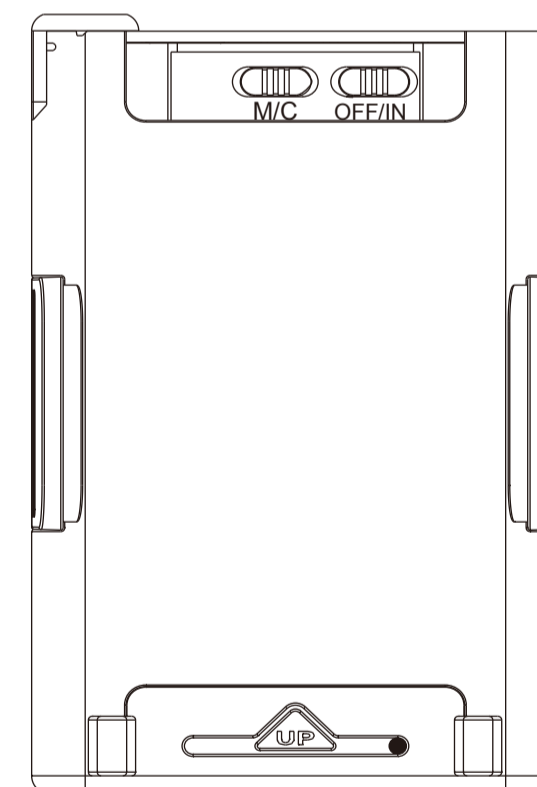
4

## 10. Specification

Built-in Camera Module	
Built-in image sensor	1/3" progressive CMOS sensor
Sensor resolution	2304x1536
Sensor sensitivity	3.3 Lux @ F 2.0 (IR OFF)
Lens F/No.	F 3.2
Focal Length	4mm
Angle of View	66°
Video Spec.	
Algorithm	H.264
File Format	MOV
Video recording mode	Manual
Recording Capability	1920x1080
Frame rate	Up to 30 fps
Storage & I/O	
Memory type	Micro SD Card (Support SDHC max=32GB)
Data interface	Mini USB 2.0
Misc.	
Date/Time Table	YYYY/MM/DD, HH:MM:SS
Power	
Power Input	DC 5V
Power Consumption	350mA-380mA (IR OFF)/(IR ON+330mA)
Charging Time	120 min(800mA)
Battery Input	DC 3.7V / 1350 mA high polymers battery(XK384085)
Battery Lifetime	Continue recording 180min(IR OFF)/90min(IR ON)
Recording time	160min @ 1920x1080 resolution (16GB SD card)

5

## PV-PH10 1080p Phone Holder DVR Quick Guide



LawMate, innovation never stops

**LawMate**<sup>®</sup>

V2.0