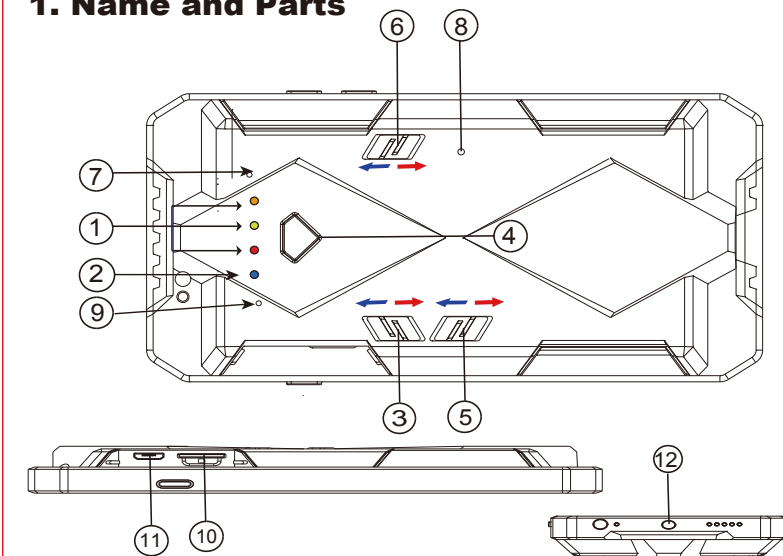


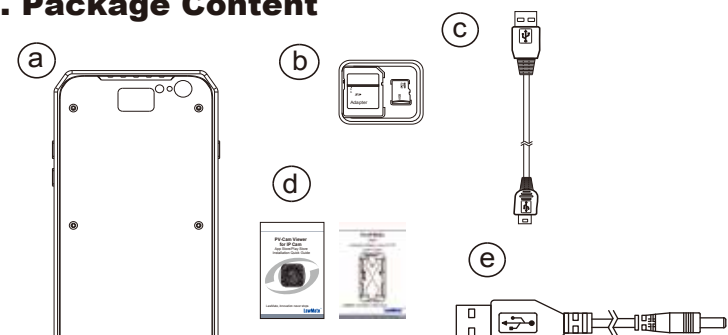
1. Name and Parts



- LED indicator:
*Recording (red) LED
*IP (bright green) LED
*Wi-Fi (orange) LED/
Charging (green) LED
- Power (blue) LED /
Power on (red arrow)/
off (blue arrow) Switch
- LED Display on/off Button
- Continuous Recording (blue arrow)/
Motion Detection Recording
(red arrow) Switch
- Wi-Fi on (red arrow)/
off (blue arrow) Switch
- Reset Button
- Default Button
- Microphone
- Memory Card Slot
- USB Port (PC Connection)
- DC 5V Port (Battery Charge)

1

2. Package Content



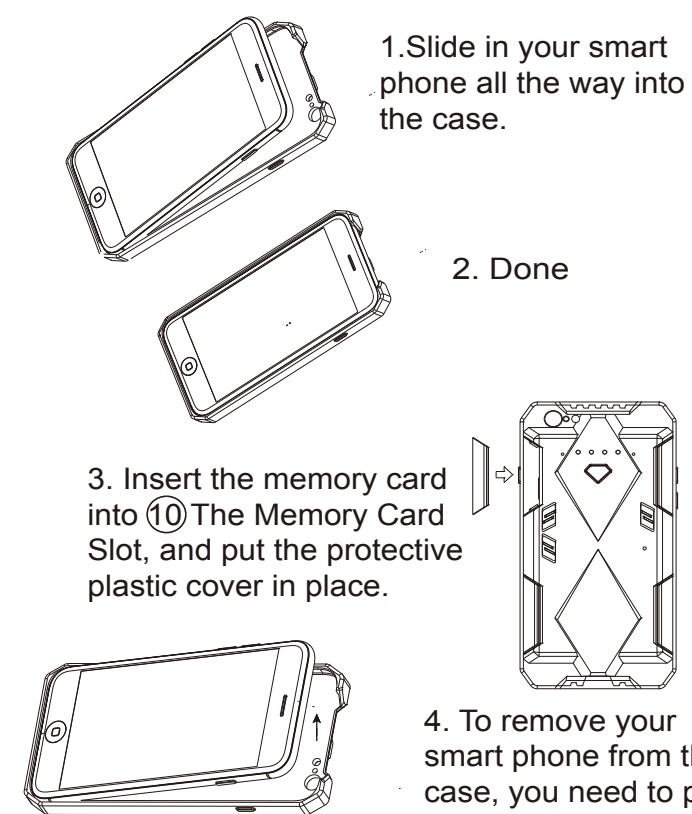
- a. Smart phone case c. USB cable e. DC 5V USB cable
b. Memory card d. User's manual

3. LED Indicators

LED Indicators	Device Status
Solid Red LED	Recording on
Blinking Orange LED	Searching Wi-Fi
Solid Orange LED	Wi-Fi connected
Solid Green LED	Device Charging
Solid Bright Green LED	IP connected
Blinking Red LED	No Memory Card/ Card Full

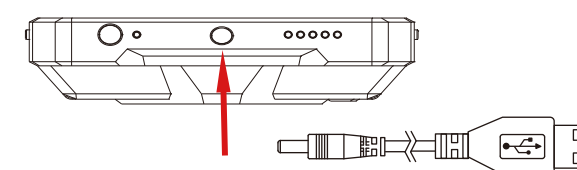
2

4. Assembly for Smartphone 6



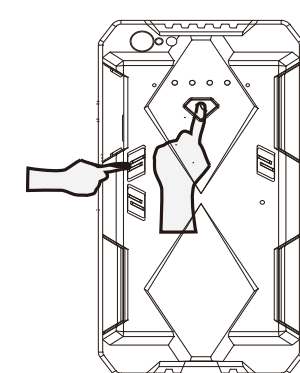
3

5. Charging the Battery



Connect DC 5V USB cable to DVR is the **ONLY** way to charge the battery in the DVR.

6. Memory Card Format



Slide up ③ Power Switch, (turn off power), press and hold ④, and slide down ③ (turn on power). When red LED starts blinking, release ④. Format is completed when red LED goes off.

4

7. Date and Time Setting

- From the desktop right-click to open Notepad, create a text file named **settime.txt**.
- On the first line of the file, enter date and time information as year.month.day hours.minutes.seconds. For example, suppose the time is October 16, 2015 15:00. Then enter 2015.10.16 15:00:00
Note : There should be a space left between day and hours, and the time format should be the 24-hour format.
- Save the file to the root directory of the memory card.
- Insert the memory card into the slot, and power on the device. The date and time setting is now completed.
Note : The settime.txt file will be invisible in the card if the setting is successfully applied to the device.

8. Operation

- 8.1 Turn on/off the device**
Press ④ to display the LED indicators first. And, slide down ③ to power on the device. When the power is on, device starts to record automatically.

- Red LED is steadily on - device is recording.

5

- 8.2 Recording Mode**
While recording, slide down ⑤ to change the recording mode to motion detection. Or slide up to change to continuous recording.
- 8.3 Turn on Wi-Fi**
With device powered on, slide down ⑥ to turn on Wi-Fi function. For more information about Wi-Fi/ IP connection set up, please refer to Wi-Fi/IP quick guide.

- 8.4 Reset the device**
If your device functions abnormally, please reset it by pressing ⑦ while the power is on. When the red LED goes off, the reset is completed.

- 8.5 Restore the default Wi-Fi password/ SSID**
If you forget your new password, press ⑧ for 4 seconds. The password (88888888) and SSID will be restored to default setting.

- 8.6 Restore to factory settings**
If you want to restore the device to the default setting, press ⑧ for 10 seconds and release. When red LED blinks three times and goes off, default setting is restored.

6

9. Rename the device Wi-Fi SSID

To change the default SSID name, right-click on Windows desktop. Create a Notepad ***.txt (text)** file and name it as **setSSID.txt**. Enter your new SSID name on the first line of the file, save it to the root directory of memory card, and insert the card back to the device. Lastly, power on the device. **Note: SSID name must be started with PV and followed by 6 ~ 14 characters of numbers or alphabets (e.g. PV123abc).**

10. Download videos to PC

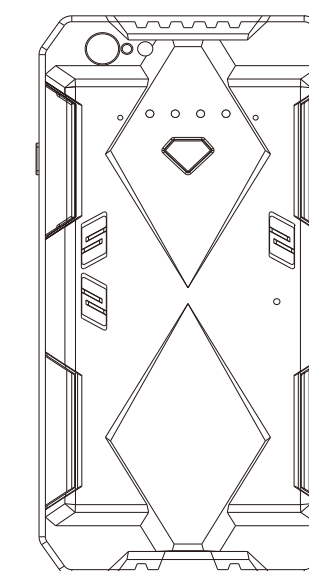
With memory card inserted in the device, connect it to PC with USB cable. Power on the device and the removable disk of the memory card will appear on your PC for you to view and download video files.

7

11. Specification

Built-in image sensor	1/3" progressive CMOS sensor
Sensor resolution	2304x1536
Sensor sensitivity	3.3 Lux @ F 2.0
Lens F/No.	F 3.2
Focal Length	4mm
Angle of View	66°
Algorithm	H.264, JPEG
File Format	MOV, JPG
Video recording mode	Auto/Manual/Motion Detection
Recording Capability	1920x1080, 1280x720, 848x480
Frame rate	Up to 30 fps
Photo Capability (APP)	2M(1920*1080)
WiFi	Built-in WiFi Module(IEEE 802.11b/g/n)
WiFi Protocol	RTSP
Memory type	Micro SD Card (Support SDHC max=32GB)
Data interface	Mini USB 2.0
Date/Time Table	YYYY/MM/DD, HH:MM:SS
Power Input	DC 5V
Power Consumption	450mA-500mA (WIFI OFF)(WIFI ON+60mA)
Charging Time	120 min(1100mA)
Battery Input	DC 3.7V / 1400 mA high polymers battery(XR733648)
Battery Lifetime	135min(1080P / WIFI OFF / LED OFF)
	130min(1080P / WIFI OFF / LED ON)
	120min(1080P / WIFI ON / LED OFF)
	115min(1080P / WIFI ON / LED ON)
	150min(720P / WIFI OFF / LED OFF)
	145min(720P / WIFI OFF / LED ON)
	135min(720P / WIFI ON / LED OFF)
	130min(720P / WIFI ON / LED ON)
	165min(WVGA / WIFI OFF / LED OFF)
	160min(WVGA / WIFI OFF / LED ON)
150min(WVGA / WIFI ON / LED OFF)	
145min(WVGA / WIFI ON / LED ON)	
Recording time	300min @ 1920x1080 resolution (16GB SD card)
Dimension	142x71x18 mm
Weight	92 g

PV-IP6HDI 1080P Smartphone Battery Case IP DVR Quick Guide



LawMate, innovation never stops

LawMate®

V1.0