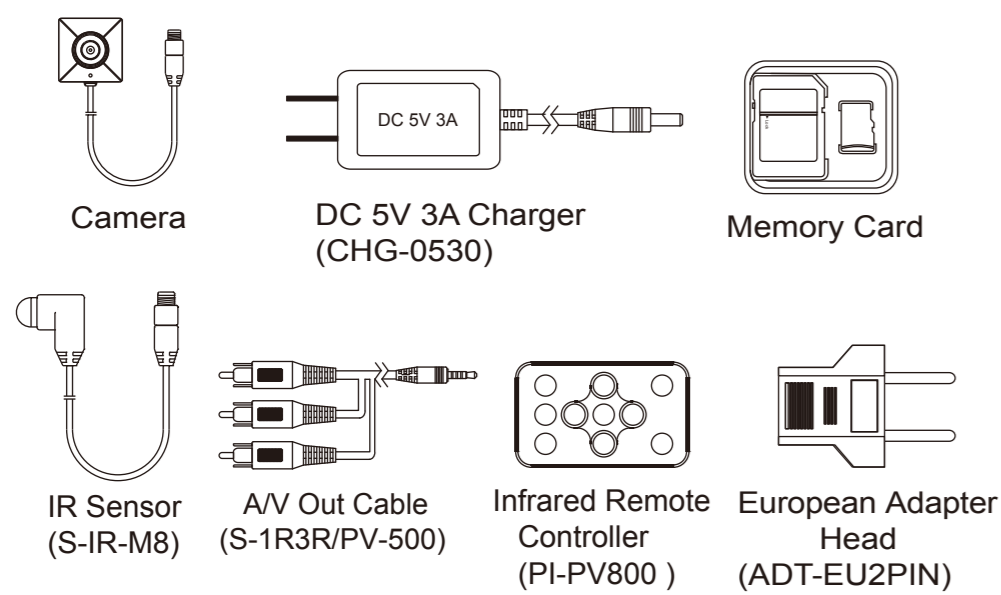
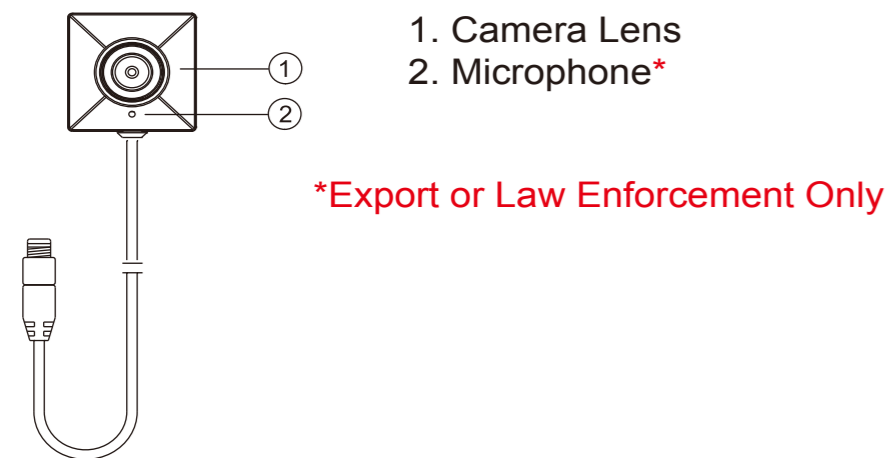


1. Package Content

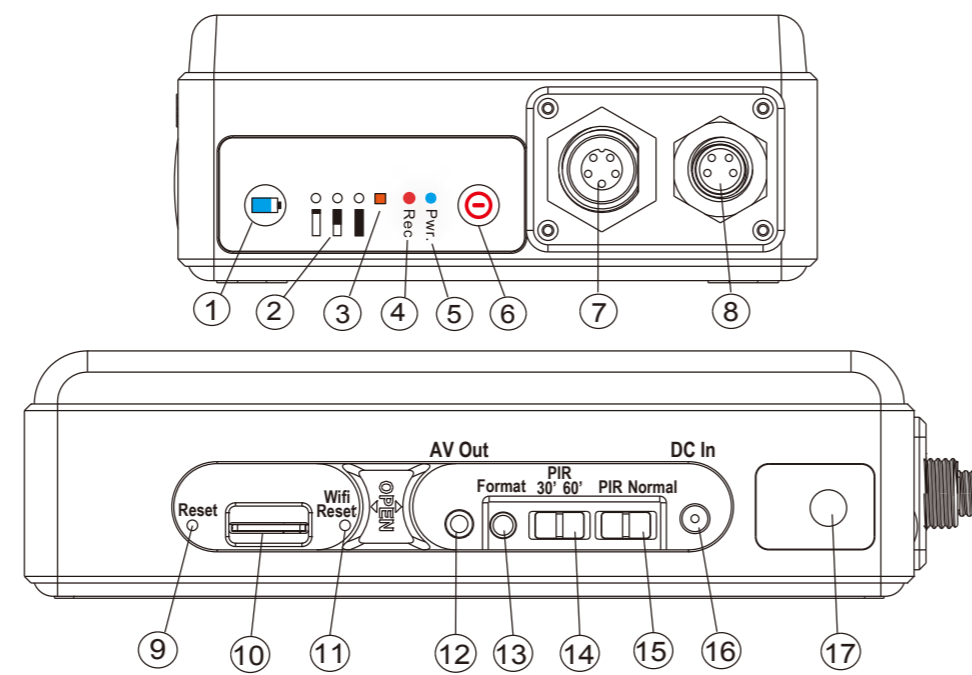


2. Names and Parts of Camera



1

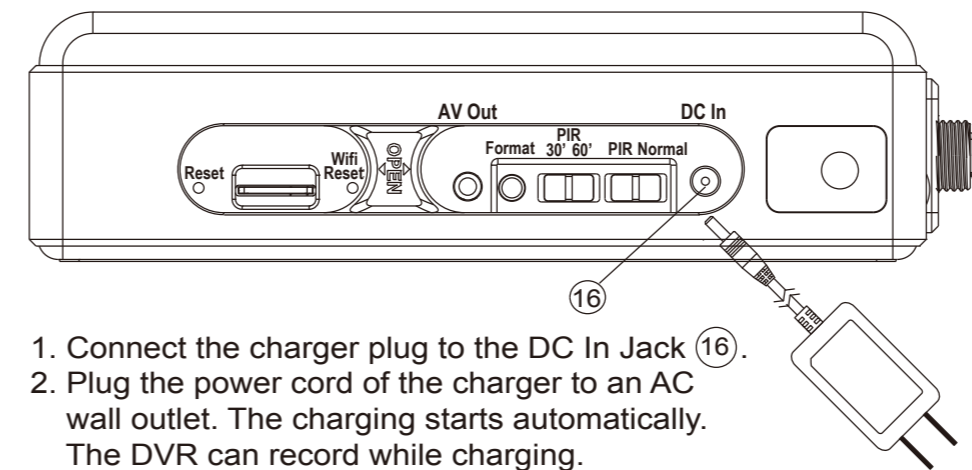
3. Names and Parts of DVR



- | | |
|-------------------------------|----------------------------|
| 1. Battery Indicator on / off | 10. Memory Card Slot |
| 2. Blue Battery LED | 11. Wi-Fi Reset |
| 3. Orange Wi-Fi LED | 12. AV Out |
| 4. Red Recording LED | 13. Format Button |
| 5. Blue Power LED | 14. PIR Detector Time Span |
| 6. Power & Wi-Fi on / off | 15. PIR / Normal Mode |
| 7. Camera in Port | 16. DC 5V in Jack |
| 8. PIR Sensor in Port | 17. IR Receiver |
| 9. Power Reset | |

2

4. Charging



1. Connect the charger plug to the DC In Jack (16).
 2. Plug the power cord of the charger to an AC wall outlet. The charging starts automatically. The DVR can record while charging.
- Solid green LED ■ - the device is charging.
 - Green LED goes off - the device is fully charged.

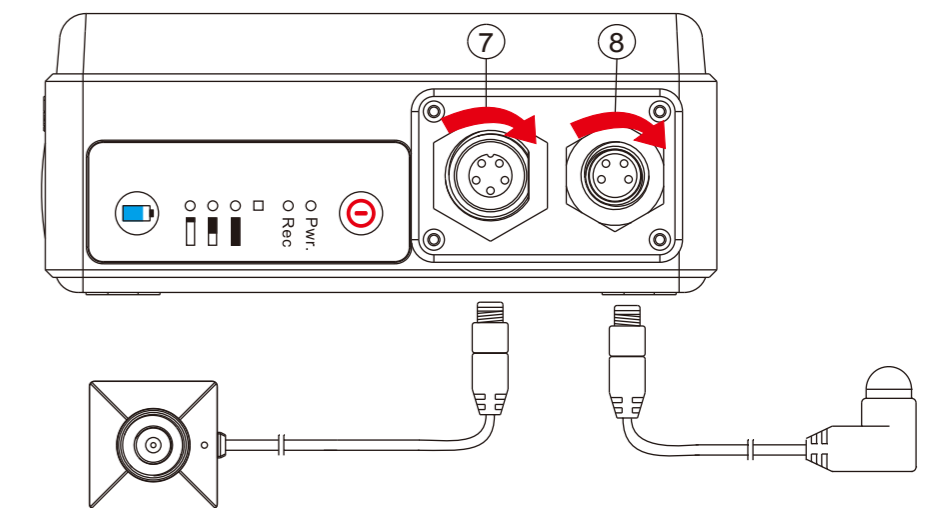
5. Format the memory card

1. The camera must be connected to the DVR first.
 2. With gold contact facing down, insert the memory card into (10).
 3. With device powered off, press and hold Format button (13).
 4. And then press Power button (6) for 3 seconds until you see the blinking red LED.
 5. Lastly, release both buttons at the same time.
- Blinking Red LED ■ + Solid Blue LED ■ - the memory card is being formatted.
 - All lights go off - the formatting is completed.

⚠ **Caution:** To make the memory card recognizable, please be sure to format the memory card before using it for the first time. Please note that formatting on computer is not recommended, for it might result in the failure for the computer to recognize the card.

3

6. Connecting camera and IR sensor to DVR



To connect the camera, plug the end of camera into (7) on the DVR. And then lock the screw by rotating it to the direction of the red arrow.

※ Only connect the camera to DVR when the system is turned off.
 ※ Camera needs to be connected and memory card inserted to DVR to turn the system on.

To connect the IR sensor, plug the end of the sensor into (8) on the DVR. And then lock the screw by rotating it to the direction of the red arrow.

4

7. LED Indicators

LED Indicators	Battery Capacity
Three solid blue LED	65~100%
Two solid blue LED	35~65%
One solid blue LED	5% ~ 35%
One Blinking blue LED	No power
Three flashing blue LED	Device charging

LED Indicators	Device Status
Solid Red LED	Recording on
Blinking orange LED	Searching for Wi-Fi
Solid orange LED	Wi-Fi connected

8. Date and time setting (for Windows system)

1. From the desktop right-click to open Notepad, create a text file named **settime.txt**
2. On the first line of the file, enter date and time information as year.month.day hours.minutes.seconds
 For example, suppose the time is October 16, 2015 15:00. Then enter **2015.10.16 15:00:00**
 ※ There should be a space left between day and hours, and the time format should be the 24-hour format.
3. Save the file to the root directory of the memory card.
4. Insert the memory card into the slot, and power on the device. The date and time setting is now completed.
 ※ When the date and time setting is completed. The **settime.txt** file should not be visible when you connect the device to the computer again.

5

9. Operation

1. **Power on/off:** Switch (15) to Normal Mode, and press (6) for 3 sec. to power on or off the device.
2. **Recording:**
 - 2-1 **Normal Mode:** Switch (15) to Normal, and DVR starts to do continuous recording once it is powered on.
 - 2-2 **PIR Detection Mode:** Plug the PIR Sensor into (8) and switch (15) to the PIR. Note that DVR powers off itself when no movement is detected in the selected time span (30 / 60 sec.). Blue LED ■ blinks once in 3 secs – Device in PIR detection mode. To choose detecting time span, switch (14) to select 30 or 60 sec.
3. **Wi-Fi:** With device powered on and switched to Normal Mode, press (6) once to enable or disable Wi-Fi.
 - Blinking orange LED ■ - device searching for Wi-Fi connection
 - Solid orange LED ■ - device is connected to Wi-Fi
4. **Reset:** When the device functions abnormally, press (9) once.
5. **Restore default Wi-Fi password and SSID:** Long press (11) for 4 sec.
6. **Restore all default settings:** Press (11) for 10 sec.
7. **Battery Indicator:** Press (1) once to turn on the battery indicators.
 ※ The device powers off itself when memory card is full.

10. Firmware Upgrade

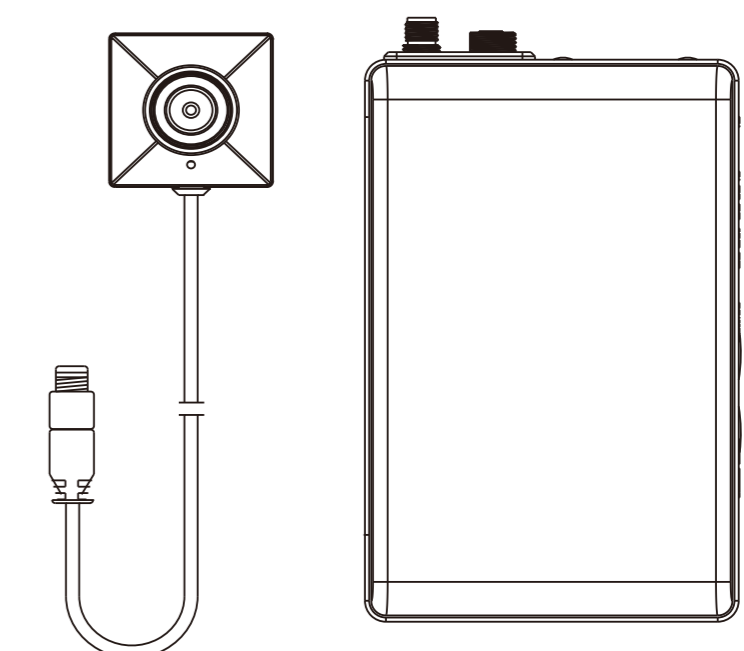
1. Detach the PIR sensor from the DVR switch (15) to Normal Mode.
2. Save the firmware file to the root directory of the memory card.
3. Insert the memory card into (10)
4. Press and hold (11), and then power on the device. The upgrade will be done.

6

DVR Specification	
Algorithm	H.264, JPEG
File Format	MOV, JPG
Recording Mode	Normal/Motion Detection/PIR
Recording Resolution	1080P / 720P / WVGA
Frame rate	Up to 30 fps
Wi-Fi	Built-in Wi-Fi Module (IEEE 802.11b/g/n)
Wi-Fi Protocol	RTSP
Memory Type	Micro SD Card (Support SDHC max=32GB)
Data Interface	Mini USB 2.0
Date/Time Table	YYYY.MM.DD, HH,MM,SS
Power Input	DC5V
Power Consumption	380mA-440mA(WIFI OFF) (WIFI ON + 80mA)
Charging Time	18Hr(1.3A)
Battery Input	DC 3.7V / 20400 mA Lithium battery
Battery Life	Continue recording 28Hr(Wi-Fi OFF)
Recording time	160min @ 1920x1080 Resolultion (16GB SD card)
Dimension	13.5 x 9 x 3.8 (cm)
Weight	480g
Camera Specification	
Pixel Size	2.8um(H) x 2.8um(V)
Picture Resolution	1920 (H) x 1080 (V)
Built-in image sensor	Progressive 1/2.9 inch SONY CMOS
Low Light Sensitivity	0.03 Lux @ F2.0 50IRE
Lens F/No	F2.0
Lens Diameter	4.3 mm
Angle of View	78 degree
Depth	50 cm ~ ∞
Electronic Shutter	1/8 ~ 1/30,000
Video Output	I2C Data
Power Supply Current	220 mA
Dimension	25x25x17 (mm)
Weight	18g

7

DVR1300W (PV-KJB2) Camera + DVR Package



LawMate, innovation never stops

LawMate®