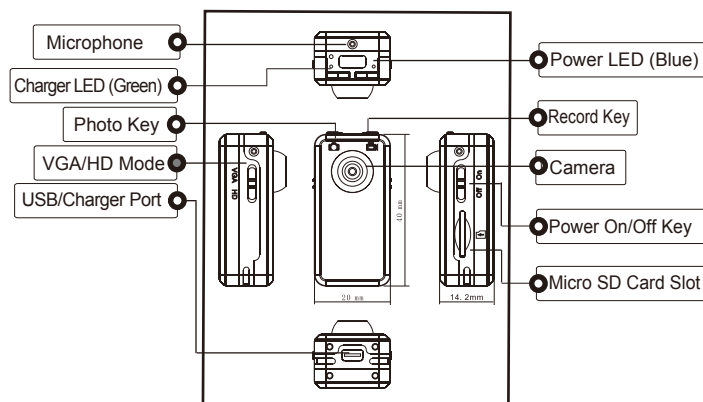
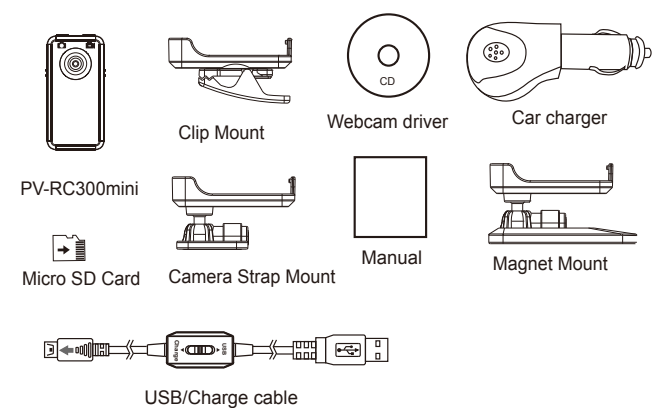


1. Introduction

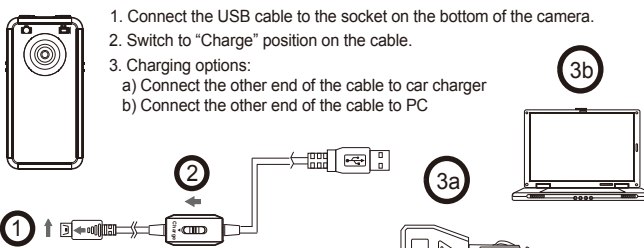


2. Package Content

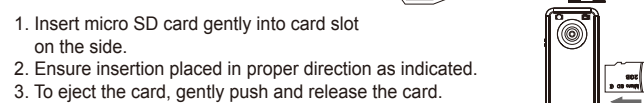


(1)

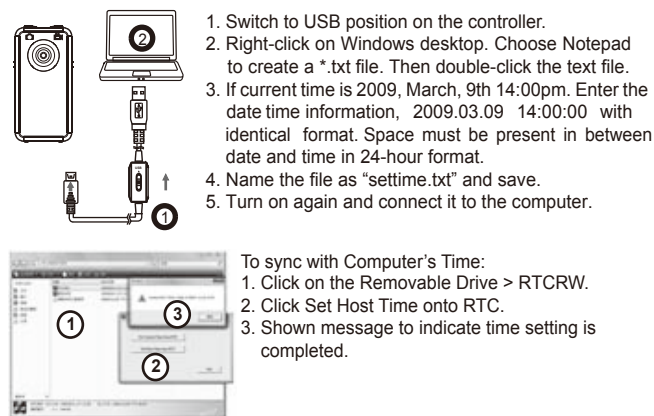
3. Charging Battery



4. Inserting Micro SD card

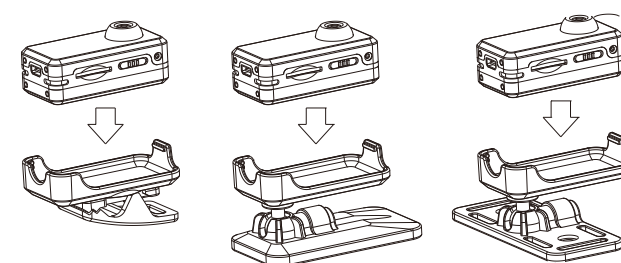


5. Date and Time Setting (for Windows XP)



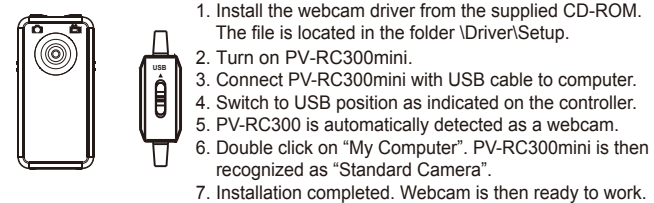
(2)

6. Covert Application



- Clip Mount
- Magnet Mount
- Camera Strap Mount

7. Webcam Driver Installation



- Install the webcam driver from the supplied CD-ROM. The file is located in the folder \Driver\Setup.
- Turn on PV-RC300mini.
- Connect PV-RC300mini with USB cable to computer.
- Switch to USB position as indicated on the controller.
- PV-RC300 is automatically detected as a webcam.
- Double click on "My Computer". PV-RC300mini is then recognized as "Standard Camera".
- Installation completed. Webcam is then ready to work.

(3)

V1.0

8. Accessing Webcam Function

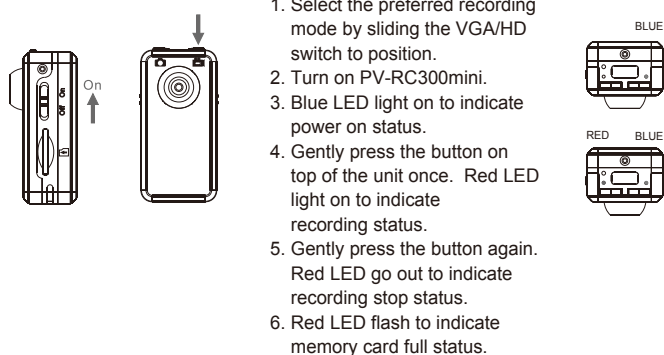
Option (1)

- Without microSD card inserted, connect PV-RC300mini to computer with USB cable.
- After connection is established, turn on PV-RC300mini.
- Turn on installed AMCap application and access webcam function.

Option (2)

- With microSD card inserted, turn on PV-RC300mini without cable connection.
- Connect PV-RC300mini with USB cable.
- Turn on installed AMCap and access webcam function.

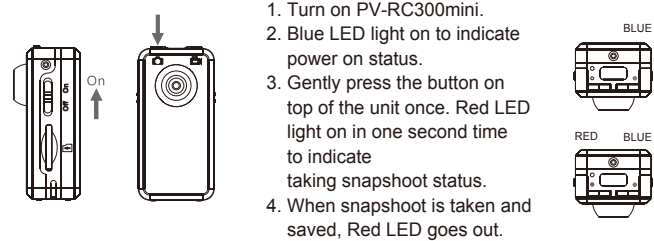
9. Video Recording



- Select the preferred recording mode by sliding the VGA/HD switch to position.
- Turn on PV-RC300mini.
- Blue LED light on to indicate power on status.
- Gently press the button on top of the unit once. Red LED light on to indicate recording status.
- Gently press the button again. Red LED go out to indicate recording stop status.
- Red LED flash to indicate memory card full status.

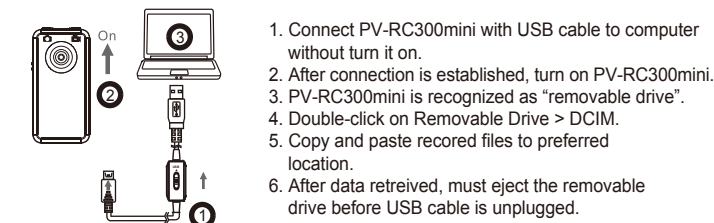
(4)

10. Photo Taking



- Turn on PV-RC300mini.
- Blue LED light on to indicate power on status.
- Gently press the button on top of the unit once. Red LED light on in one second time to indicate taking snapshot status.
- When snapshot is taken and saved, Red LED goes out.

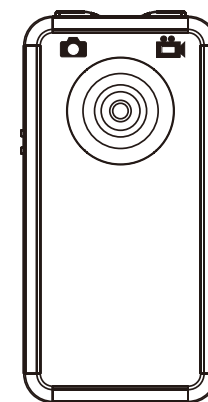
11. Retrieving Data



- Connect PV-RC300mini with USB cable to computer without turn it on.
- After connection is established, turn on PV-RC300mini.
- PV-RC300mini is recognized as "removable drive".
- Double-click on Removable Drive > DCIM.
- Copy and paste recored files to preferred location.
- After data retrieved, must eject the removable drive before USB cable is unplugged.

(5)

PV-RC300mini CamStick DVR Quick Guide



Law Enforcement Products Manufacturer

LawMate

V1.0