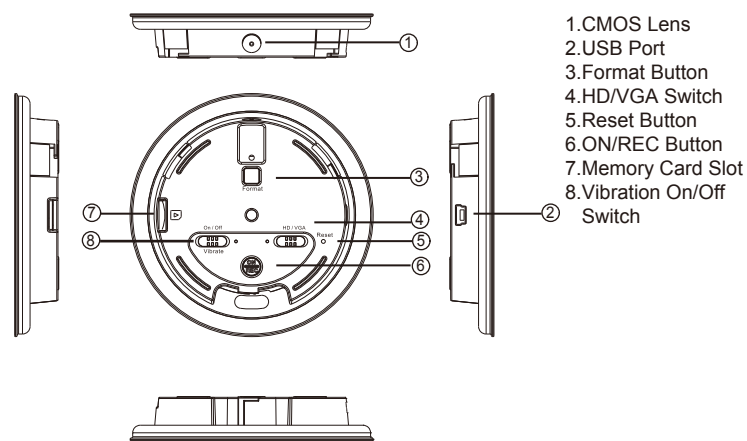
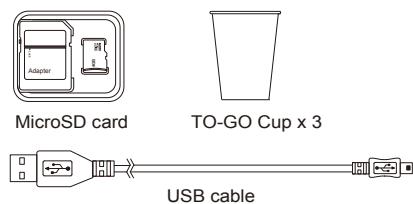


1. Names and parts



1. CMOS Lens
2. USB Port
3. Format Button
4. HD/VGA Switch
5. Reset Button
6. ON/REC Button
7. Memory Card Slot
8. Vibration On/Off Switch

2. Package Content



MicroSD card

TO-GO Cup x 3

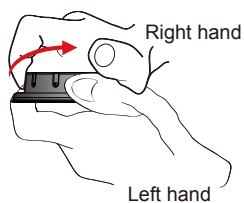
USB cable

WARNING: DO NOT FILL THE CUP WITH HOT WATER.

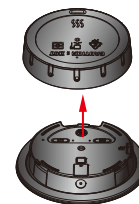
1

3. Assemble & disassemble DVR cover

Disassemble the DVR cover



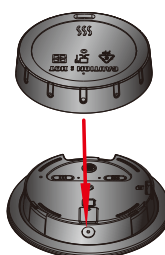
1. Hold the DVR from the bottom by left hand. Carefully twist the cover of DVR by right hand following red arrow pointed direction.



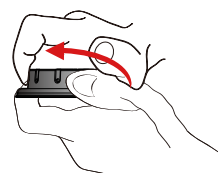
2. Remove the cover by following red arrow pointed direction.

Assemble the DVR cover

Warning! Follow instructions below to avoid lens damage.



1. Align the guiding points on the cover to the red arrow mark on the DVR before assembly.

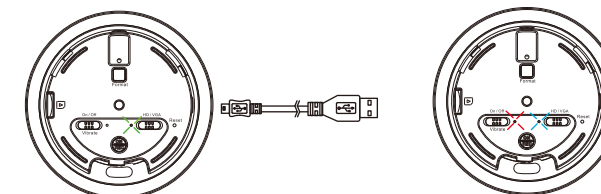


2. Twist the cover by following red arrow pointed direction until it is properly locked.

2

4. Charge battery

Connect to PC via USB cable



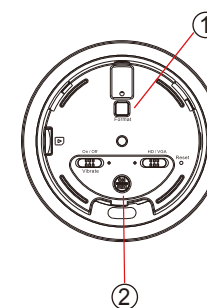
LED bar

Charge LED(Green)
When battery is fully charged,
the green LED will turn off.

Power LED(Blue)
Rec LED(Red)

1. Remove the cover from the DVR and connect the supplied USB cable into the device.
2. Plug the USB cable to PC, the green Charge LED of the device will illuminate to show the charging is in process.
3. Green LED will turn off when the battery is fully charged.

5. Format memory card



1. Long press the Format Button ① and hold.
2. Use another finger to press the Power On button ② for 2 seconds.
3. Power LED will illuminate Blue, hold the Format button until the Rec LED starts to blink.
4. Release the Format button. Rec LED will go out after 5 seconds to show the formatting is completed.

3

6. Retrieve files from DVR

There are two ways to download video/photo files.

1. Use memory card reader to download video/photo files.
2. With the device powered on and memory card inserted, connect the device to PC by USB cable. It will be recognized by PC as an external drive for user to retrieve the files.

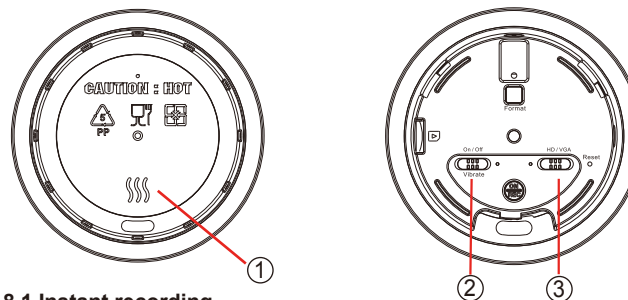
7. Date and time setting (for Windows computer)

1. Right-click on Windows desktop. Choose Notepad to create a *.txt (text) file.
2. Open the txt file. If current time is January 16, 2015 15:00. Enter date and time information as 2015.01.16 15:00:00. Note that a space must be present in between date and time in 24-hour format.
3. Name the file as settime.txt and save it to the root directory of the memory card.
4. Insert the memory card to the slot then power on the device. The date and time setting is now completed.
5. Please note when the date and time information is successfully set up, the settime.txt file should not be visible when the device is connected to computer the next time.

4

8. Operation

Please note, memory card needs to be formatted on the device for the unit to recognize it. Formatting memory card by a PC is not recommended and may result in recording failure.



8.1 Instant recording

When the unit is assembled press the area ① on the cover. DVR will power on and start to record automatically. Long press the area ① on the cover to stop recording and turn off the DVR.

8.2 Vibration On/Off

Switch ② to On/Off to activate/deactivate vibration mode.

8.3 Resolution HD/VGA

- A. Switch ③ to VGA to choose video resolution 640x480.
- B. Switch ③ to HD to choose video resolution 1280x720.

5

PV-CC10 720p Coffee Cup Lid DVR Quick Guide



LawMate, innovation never stops

LawMate[®]

V1.0