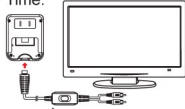


Using DVR

1. Plug-in DVR into wall outlet as shown in the illustration in Powering DVR section.
2. Connects DVR using A/V Cable to connect to TV or monitor.
3. Operates IR remote controller to access Main Menu and submenu via user interface shown on display. Note: IR remote control is required to aim the IR sensor on the A/V out cable.
4. Access setting menu: Main Menu > Recorder Setting
5. Two different recording modes: (1) Normal (2) Motion Detect
6. Unplug DVR from wall outlet after setting is completed. DVR saves the setting.
7. Plug-in DVR to wall outlet again to activate last saved setting.
8. DVR starts recording automatically when the DVR is plugged into wall outlet. Recording mode is set according to last change made on the Main Menu.

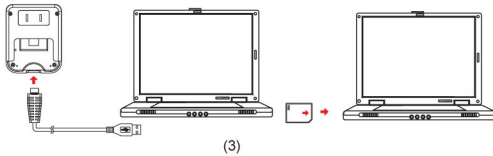
NOTE

Normal Recording is defined as continuously recording until memory storage is full. Motion Detect recording is defined as being triggered by any detected movement. Each video file is limited to 30 minutes recording in Normal Recording mode and 1min/3min/5min recording in Motion Detect recording mode. Selection can be made via user interface shown on display. i.e. Main Menu>Recorder Setting>Motion Detect> Time. File overwrite function is compatible to both Normal and Motion Detect Recording mode.



Retrieving Video Footage

1. Video file is stored in the SDHC Memory card.
2. There are two methods to retrieve video files.
 - (1) Using USB Cable to connect to computer
 - (2) Using SD card reader to read and write folder directory
3. Computer detects the storage and user may browse and operate the storage as typical folder directory. i.e. Rename, copy and paste, delete, duplicate, etc.

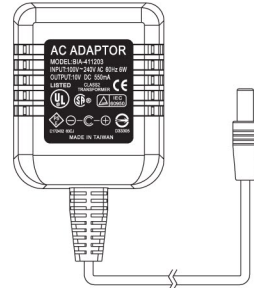


(3)

DVR255

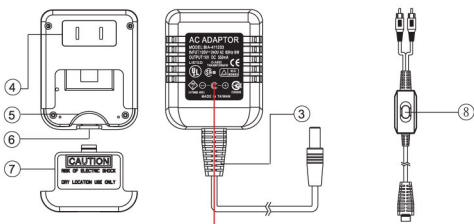
AC Adaptor DVR

w/ Adjustable Settings and On-Screen Display



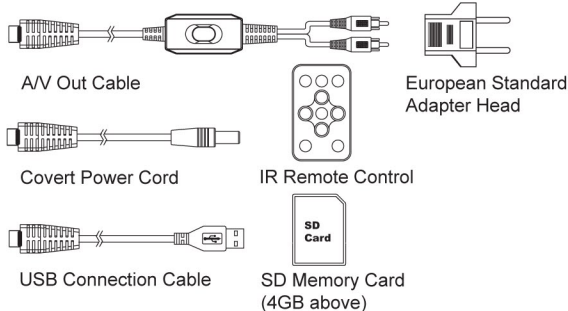
V1.0

Name and Parts



1. Camera Lens
2. Cover Power Cord
3. Two Prong Power Supply
4. Mini USB Port
5. SD Card Slot
6. Bottom Cover Piece
7. IR Sensor
8. IR Sensor

Package Content



(1)

Powering DVR

1. This DVR is not powered by battery; instead, it is powered by two-prong wall outlet.
2. Plug-in DVR into wall outlet as shown in the illustration below.
3. DVR starts recording automatically in motion detection mode.



NOTE:

This product is also compatible with extension cord in order to adjust plug-in angle!

DVR Installation

- Step 1** Slide the bottom cover piece in downward direction.
- Step 2** Gently remove the covert piece completely.
- Step 3** Gently remove the covert power cord completely.
- Step 4** Insert 4GB storage above SD memory card into SD card slot.
- Step 5** Insert the covert power cord into original position.
- Step 6** Slide the bottom cover piece back to original position.

(2)